

## Power Clamps

### Pneumatic

#### SPECIFICATION

##### Type

- Type **BL**: Clamping arm horizontal  
Steel C 45

- Chemically nickel plated **NC**  
- Anti-stick coating  
Polytetrafluorethylene (PTFE), green **FG**

Max. pressure 10 bar

#### INFORMATION

The maximum clamping moment of the power clamps GN 864 is reached once the clamping arm is at the end of its stroke. For this reason the working stroke should be completed as closely as possible to the stroke end.

The type FG is equipped with an anti-stick coating of polytetrafluorethylene (PTFE) for protection against welding spray and corrosion. With protective covers GN 864.1 (see page ) the tensioning mechanism can be additionally protected against penetrating dirt.

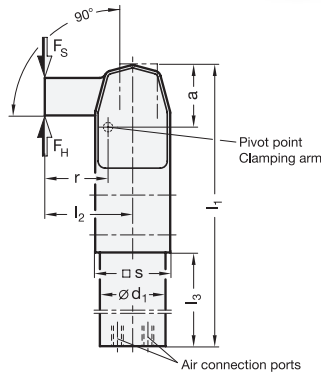
Information for pneumatic fastening clamps (see page 1632)

#### ACCESSORY

- Protective covers GN 864.1 (see page )

#### TECHNICAL INFORMATION

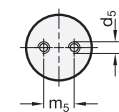
- ISO-Fundamental Tolerances (see page A21)  
- Plastic characteristics (see page A2)



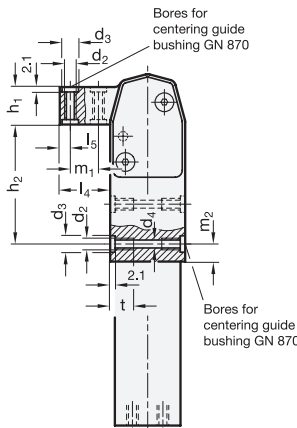
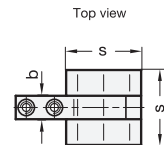
Operating principle



View from below  
(Air connection ports)



Proximity switch  
mountable on both sides



\* Complete with type index of the power clamps

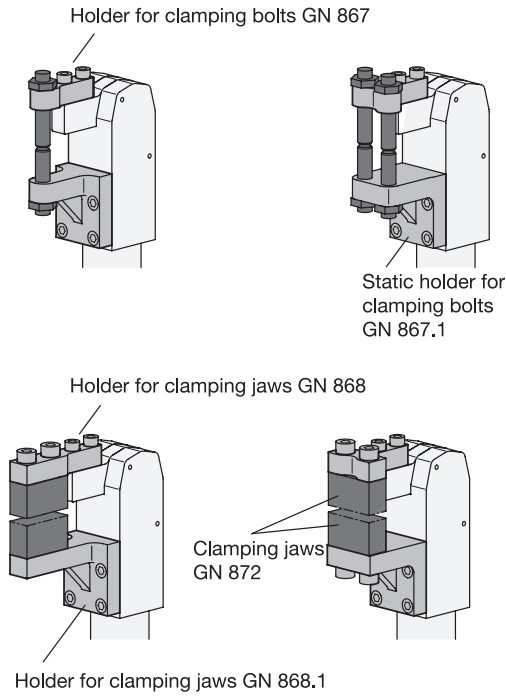
**NC** Chemically nickel plated      **FG** Polytetrafluorethylene (PTFE), green

#### GN 864

| Description    | Size | max. clamping moment in Nm at 6 bar | F <sub>s</sub> in N | F <sub>H</sub> in N | a    | b -0.2 | d <sub>1</sub> h8 | d <sub>2</sub> | d <sub>3</sub> H8 | d <sub>4</sub> | d <sub>5</sub> | h <sub>1</sub> | h <sub>2</sub> | l <sub>1</sub> -0.5 | l <sub>2</sub> | l <sub>3</sub> | l <sub>4</sub> | l <sub>5</sub> | m <sub>1</sub> ±0.01 | m <sub>2</sub> | m <sub>3</sub> ±0.01 | m <sub>4</sub> ±0.01 | m <sub>5</sub> | r    | s  | t  | ⚖    |
|----------------|------|-------------------------------------|---------------------|---------------------|------|--------|-------------------|----------------|-------------------|----------------|----------------|----------------|----------------|---------------------|----------------|----------------|----------------|----------------|----------------------|----------------|----------------------|----------------------|----------------|------|----|----|------|
| GN 864-20-BL-* | 20   | 60                                  | 2220                | 7030                | 27   | 10     | 28                | M5             | 7                 | 4.2            | M5             | 16             | 51             | 150                 | 37.5           | 70             | 21.5           | 4.5            | 12                   | 7.5            | 17                   | 22                   | 13             | 27   | 32 | 13 | 640  |
| GN 864-32-BL-* | 32   | 150                                 | 4110                | 12876               | 36.5 | 12     | 40                | M6             | 9                 | 5              | G1/8           | 21             | 75.5           | 206                 | 52             | 91             | 31             | 6              | 18                   | 10             | 25                   | 30                   | 22             | 36.5 | 42 | 15 | 1500 |
| GN 864-40-BL-* | 40   | 300                                 | 6740                | 16973               | 44.5 | 16     | 50                | M8             | 11                | 6.8            | G1/8           | 26             | 91.5           | 244                 | 63             | 104            | 37             | 7.5            | 22                   | 13             | 30                   | 37                   | 25             | 44.5 | 52 | 18 | 2820 |
| GN 864-50-BL-* | 50   | 475                                 | 9000                | 22666               | 52.5 | 18     | 60                | M10            | 13                | 8.5            | G1/8           | 31             | 114            | 279                 | 74             | 110.5          | 43             | 8              | 27                   | 12             | 47                   | 44                   | 35             | 52.5 | 62 | 21 | 3800 |

Weight type NC

**Installation examples**



**Principle of operation**

